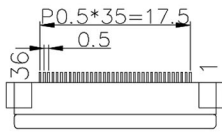
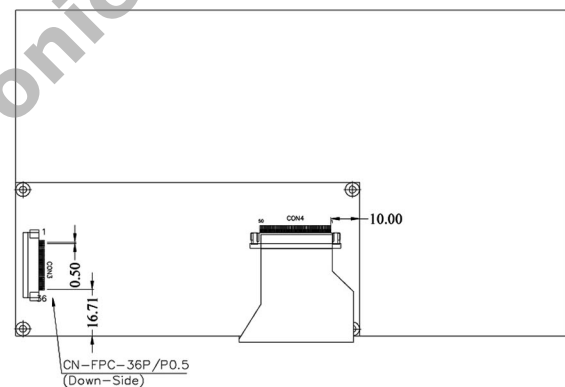
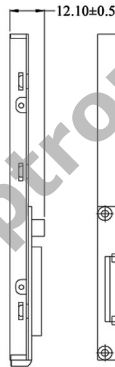
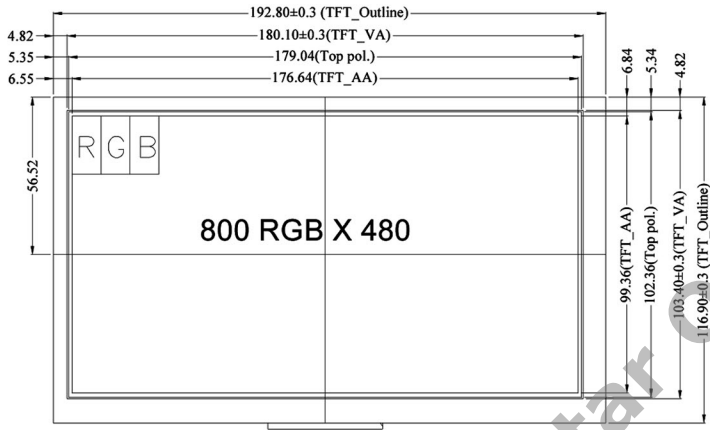


## RFF800Q TFT 800x480 dots

| PIN NO. | SYMBOL |
|---------|--------|
| 1       | GND    |
| 2       | VDD    |
| 3       | BL E   |
| 4       | D/C    |
| 5       | WR     |
| 6       | RD     |
| 7       | DB0    |
| 8       | DB1    |
| 9       | DB2    |
| 10      | DB3    |
| 11      | DB4    |
| 12      | DB5    |
| 13      | DB6    |
| 14      | DB7    |
| 15      | DB8    |
| 16      | DB9    |
| 17      | DB10   |
| 18      | DB11   |
| 19      | DB12   |
| 20      | DB13   |
| 21      | DB14   |
| 22      | DB15   |
| 23      | NC     |
| 24      | NC     |
| 25      | CS     |
| 26      | RESET  |
| 27      | LR     |
| 28      | UD     |
| 29      | NC     |
| 30      | NC     |
| 31      | NC     |
| 32      | NC     |
| 33      | VLED-  |
| 34      | VLED-  |
| 35      | VLED+  |
| 36      | VLED+  |



CON3

The non-specified tolerance of dimension is ±0.3mm.