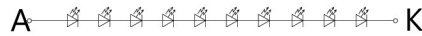
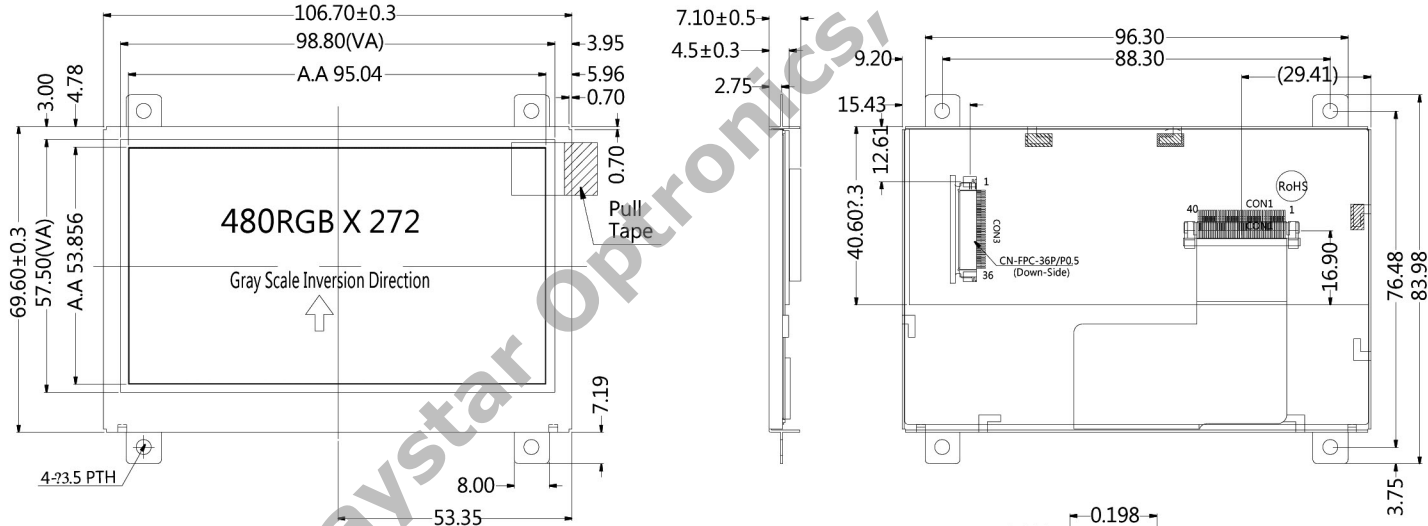
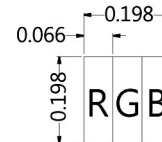


## RFE430Q TFT 480x272

PIN NO	SYMBOL
1	GND
2	VDD
3	BL_E
4	D/C
5	WR
6	RD
7	DB0
8	DB1
9	DB2
10	DB3
11	DB4
12	DB5
13	DB6
14	DB7
15	DB8
16	DB9
17	DB10
18	DB11
19	DB12
20	DB13
21	DB14
22	DB15
23	NC
24	NC(CTP_INT)
25	CS
26	RST
27	DISP_ON
28	NC
29	NC(CTP_SCL)
30	NC(CTP_SDA)
31	NC(CTP_RST)
32	NC(CTP_WAKE)
33	VLED-
34	VLED-
35	VLED+
36	VLED+



CIRCUIT DIAGRAM(10 Dice)



SCALE 1:100