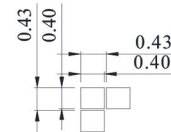
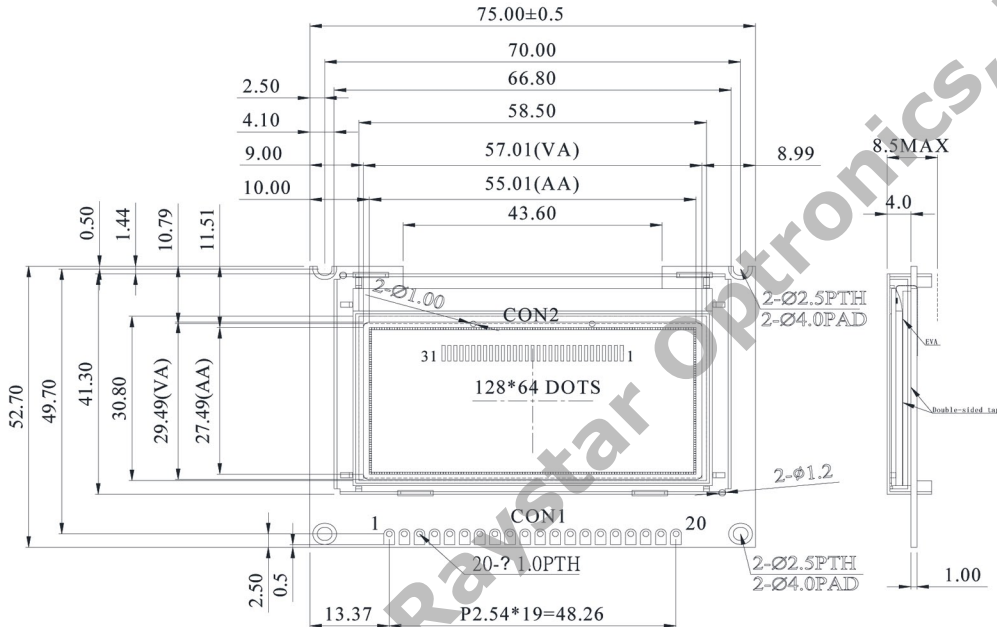




Your Best Partner of the Display Solutions

REX012864J OLED Graphic 128x64 dots



Detail DOTS Scale 10:1

CON1	
PIN NO.	SYMBOL
1	VDD
2	VSS
3	NC
4	DB0
5	DB1
6	DB2
7	DB3
8	DB4
9	DB5
10	DB6
11	DB7
12	CS
13	NC
14	/RES
15	R/W
16	D/C
17	E
18	NC
19	DISP
20	NC

The non-specified tolerance of dimension is $\pm 0.3\text{mm}$.