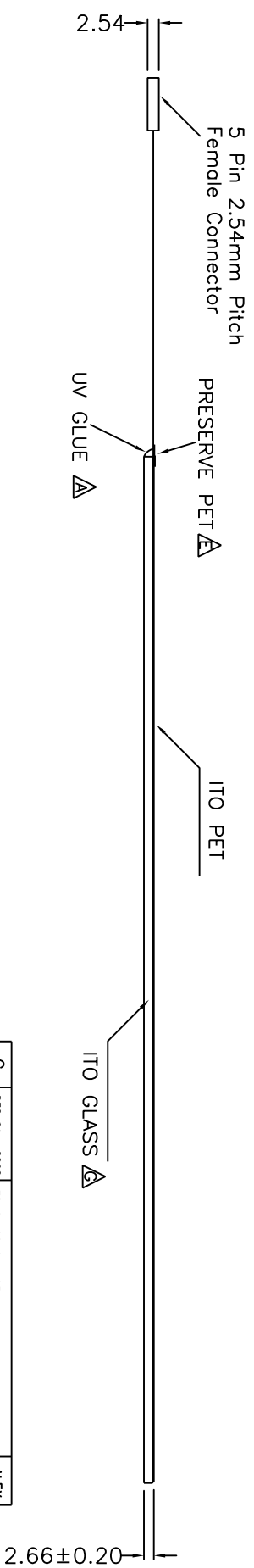
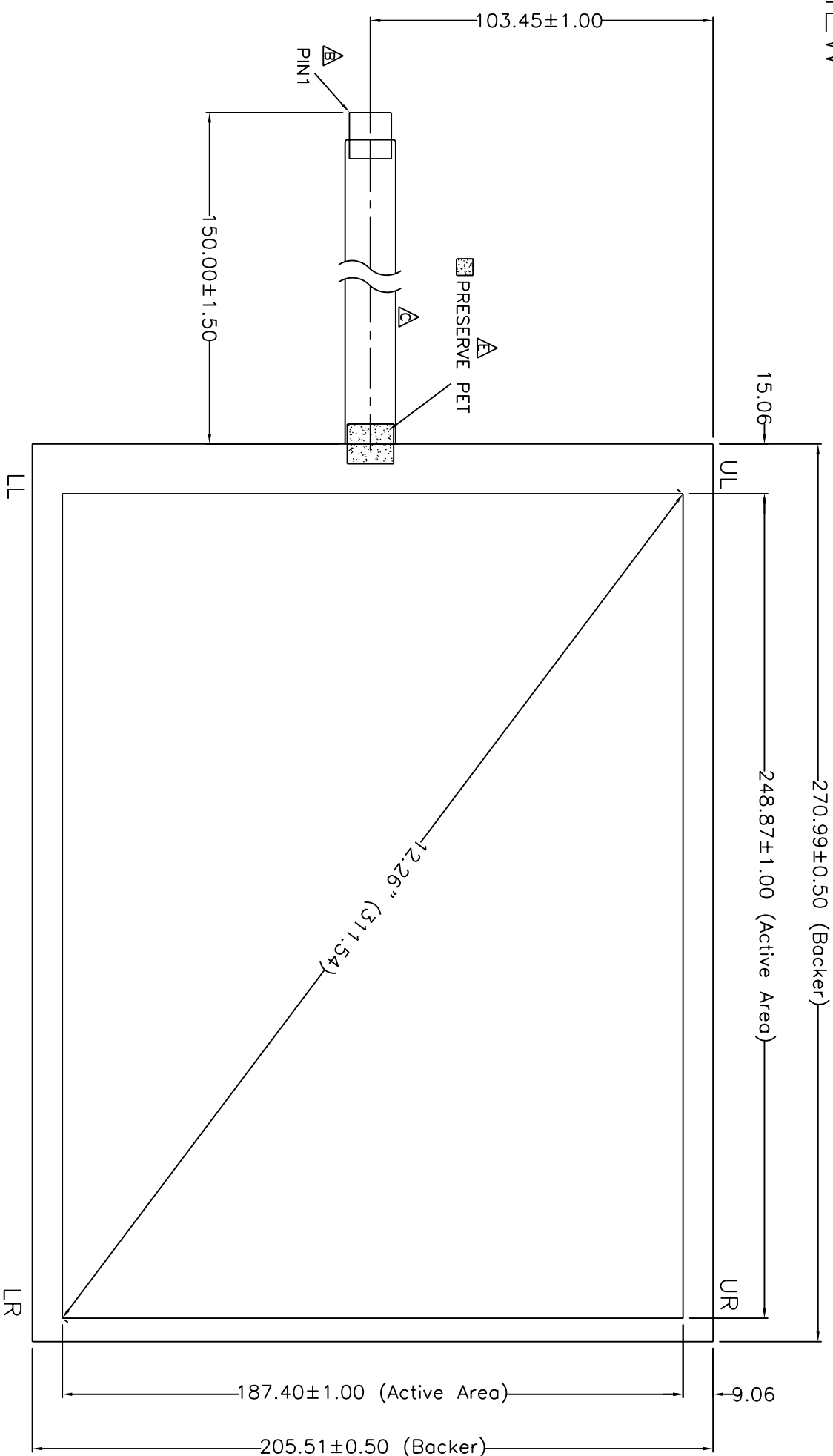


FRONT VIEW

CONNECTOR PINOUT	PIN#	DESIGNATION
	1	LL
	2	UL
	3	S
	4	LR
	5	UR



NOTES:

1. ITO GLASS THICKNESS : 2.36mm
2. OVERALL THICKNESS : 2.66±0.20mm
3. CONNECTOR AND PINOUT AS INDICATED
4. FRONT SURFACE : ANTI-GLARE HARDCOAT
5. LAYER TO LAYER ASSEMBLY TOLERANCE: ±0.50mm
6. TAIL TYPE : IMMERSION GOLD PLATED FPC WITH AMP-C TIN PLATED CONTACTS
7. OTHER SPEC : SEE APPROVAL SHEET



NO.	DATE	DESCRIPTION	CHK
G	DEC 01, 2006	ITO GLASS CHANGE	ALEX
E	JUN 13, 2006	(PET SIDE) TAIL'S LOCATION INCREASE PRESERVE PET	ALEX
C	SEP 20, 2005	FPC TAIL CHANGE	ALEX
B	MAY 11, 2005	CONDUCTOR GOLD PLATING & PIN OUT MODIFY	ALEX
A	SEP 29, 2004	ADD UV GLUE TO TAIL LOCATION	ALEX

REVISION			
CHIEF OF DESIGN	APPROVED	DATE	REV.
ENGINEER	PROJECT MANAGER	DEC 01, 2006	G
DRAWN BY	DATE	REV.	
SHT 1 OF 1			

Apex Material Technology Corp.

TOLERANCES UNLESS SPECIFIED		PROJECT NAME : 2501	
.X	± 0.50	DWG NO : 2501-7-01	
.XX	± 0.50	SCALE: 1:1 UNIT: mm	
.XXX	± 0.30		
ANGULAR	.		